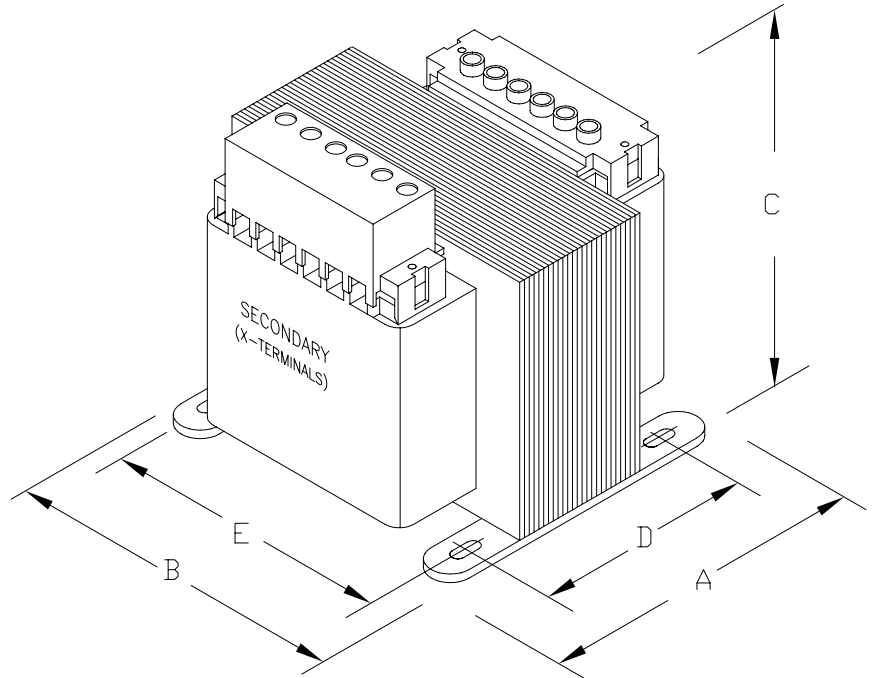


CONNECTION TABLE

PRIMARY		SECONDARY			
VOLT	TERM.	VOLT	TERM.	VOLT	TERM.
200	H4-H3	23	X3-X2	110	X3-X1
208	H4-H3	24	X3-X2	115	X3-X1
220	H4-H2	23	X3-X2	110	X3-X1
230	H4-H2	24	X3-X2	115	X3-X1
240	H4-H2	25	X3-X2	120	X3-X1
440	H4-H1	23	X3-X2	110	X3-X1
460	H4-H1	24	X3-X2	115	X3-X1
480	H4-H1	25	X3-X2	120	X3-X1



PROVIDED WITH SAFE TOUCH TERMINAL COVERS.  
NO INTEGRAL FUSING CAPABILITY.

DIMENSIONS							APPROX. WT. LBS (KG)
	A	B	C	D	E	MTG. SLOTS	
INCHES (MM)	6.63 (168)	6.38 (162)	6.00 (152)	5.06 (129)	5.31 (135)	0.313X1.249 (8.0X31.7)	



CAT. NO.	<b>B750-2110-GAF</b>		CONST. <b>ENCAPSULATED</b>				UL LISTED
			MODEL <b>GLOBALTRAN</b>				
<b>RATING</b>							SP CERTIFIED
OUTPUT AMPS	31.25/6.52	PRIMARY V	220/220/440, 208/230/460, 240/480		TEMP. CLASS	HZ 50/60	
VA	750	SECONDARY V	23/110, 24/115, 25/120		130°C	REVISION <b>G</b>	CE IEC 61558